



# TA238B/18-6 Air Stapler



## OPERATING & MAINTENANCE MANUAL



**WARNING**

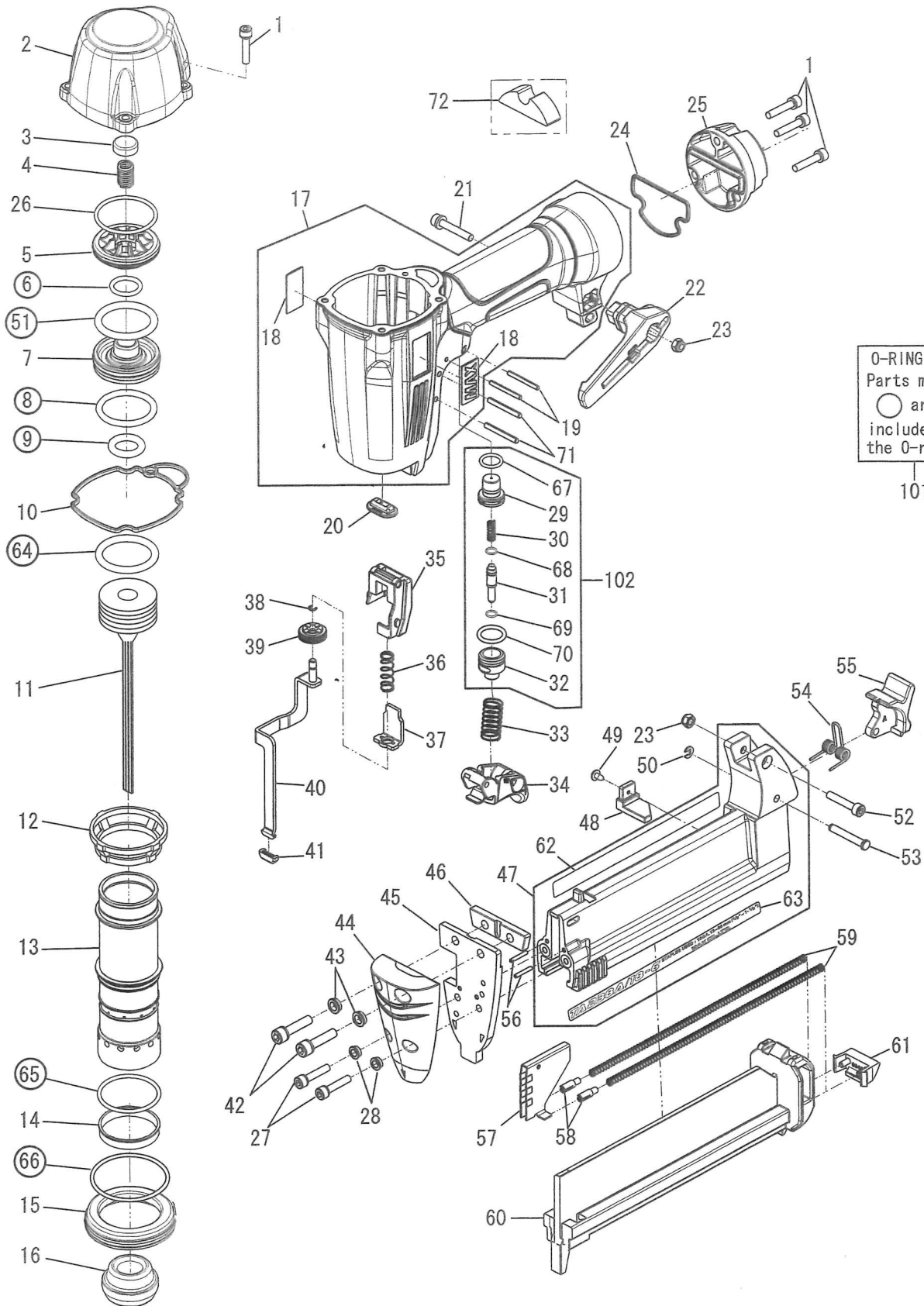
BEFORE USING THIS TOOL, STUDY THIS MANUAL TO ENSURE SAFETY WARNING AND INSTRUCTIONS.

KEEP THESE INSTRUCTIONS WITH THE TOOL FOR FUTURE REFERENCE.

APRIL 2022

# TA238B/18-6(CE)

EXPLODED  
VIEW AND SPARE  
PARTS LIST



## TA238B/18-6

| ITEM | PART NO | DESCRIPTION                  |
|------|---------|------------------------------|
| 1    | TA19210 | HEX. SOC. HD. CAP SCREW ASSY |
| 2    | TA19136 | CYLINDER CAP                 |
| 3    | TA19137 | EXHAUST SEAL                 |
| 4    | TA19138 | COMPRESSION SPRING           |
| 5    | TA19139 | HEAD VALVE GUIDE             |
| 6    | TA19141 | O-RING 9141                  |
| 7    | TA19142 | HEAD VALVE PISTON            |
| 8    | TA19143 | O-RING 9143                  |
| 9    | TA19144 | O-RING 9144                  |
| 10   | TA19145 | CYLINDER CAP SEAL            |
| 11   | TA19915 | DRIVER UNIT                  |
| 12   | TA19208 | CYLINDER WASHER              |
| 13   | TA19146 | CYLINDER                     |
| 14   | TA19148 | CHECK PAWL                   |
| 15   | TA19149 | CYLINDER RING                |
| 16   | TA19907 | BUMPER                       |
| 17   | TA70351 | FRAME UNIT                   |
| 18   | TA18930 | NAME PLATE                   |
| 19   | TA19180 | SPRING PIN                   |
| 20   | TA19328 | NOZZLE                       |
| 21   | TA19170 | HEX. SOC. HD. CAP SCREW      |
| 22   | TA19171 | HOOK                         |
| 23   | TA19172 | ELASTIC STOP NUT             |
| 24   | TA19168 | END CAP SEAL                 |
| 25   | TA19169 | END CAP                      |
| 26   | TA19140 | O-RING 9140                  |
| 27   | TA19329 | HEX. SOC. HD. CAP SCREW      |
| 28   | TA19347 | COLLAR B                     |
| 29   | TA19156 | TRIGGER VALVE HEAD           |
| 30   | TA19157 | SPRING                       |
| 31   | TA19158 | TRIGGER VALVE STEM           |
| 32   | TA19162 | TRIGGER VALVE GUIDE          |
| 33   | TA19163 | SPRING                       |
| 34   | TA19164 | TRIGGER UNIT                 |
| 35   | TA19198 | ARM GUIDE                    |
| 36   | TA19199 | SPRING                       |
| 37   | TA19200 | CONTACT ARM A                |
| 38   | TA19201 | C-RING                       |
| 39   | TA19182 | ADJUST DIAL                  |
| 40   | TA19343 | CONTACT ARM B                |
| 41   | TA19202 | CONTACT TOP                  |
| 42   | TA19052 | HEX. SOC. HD. CAP SCREW ASSY |
| 43   | TA19254 | COLLAR                       |
| 44   | TA19330 | FRONT COVER                  |
| 45   | TA19331 | DRIVER GUIDE                 |
| 46   | TA19932 | WARE PLATE                   |
| 47   | TA81352 | MAGAZINE ASSY (CE)           |
| 48   | TA19340 | PUSHER STOPPER               |
| 49   | TA19346 | TAPPING SCREW                |
| 50   | TA19341 | E-RING                       |
| 51   | TA19215 | O-RING 9215                  |
| 52   | TA19342 | HEX. SOC. HD. CAP SCREW      |
| 53   | TA19338 | STEP PIN                     |
| 54   | TA19339 | SPRING                       |
| 55   | TA19337 | CLICK LEVER                  |
| 56   | TA19352 | SPRING PIN                   |
| 57   | TA19333 | PUSHER                       |
| 58   | TA19334 | PUSHER GUIDE                 |
| 59   | TA19335 | SPRING                       |
| 60   | TA19344 | SLIDER                       |
| 61   | TA19336 | TAIL COVER                   |
| 62   | TA19958 | WARNING LABEL                |
| 63   | TA19953 | NAME LABEL (CE & USA)        |
| 64   | TA19209 | O-RING 9209                  |
| 65   | TA19147 | O-RING 9147                  |
| 66   | TA19150 | O-RING 9150                  |
| 67   | TA19155 | O-RING 9155                  |
| 68   | TA19159 | O-RING 9159                  |
| 69   | TA19160 | O-RING 9160                  |
| 70   | TA19161 | O-RING 9161                  |
| 71   | TA19165 | SPRING PIN                   |
| 72   | TA19173 | EXHAUST FILTER               |
| 101  | TA81265 | O-RING KIT                   |
| 102  | TA81266 | TRIGGER VALVE KIT            |